

AIR PREPARATION

Quality DOES matter!

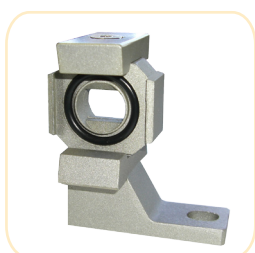
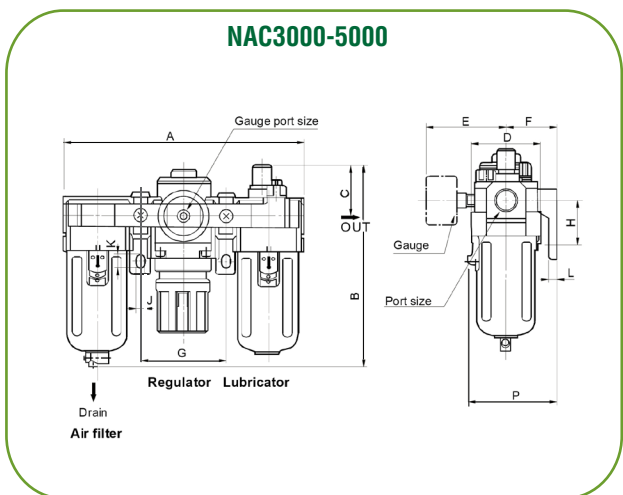
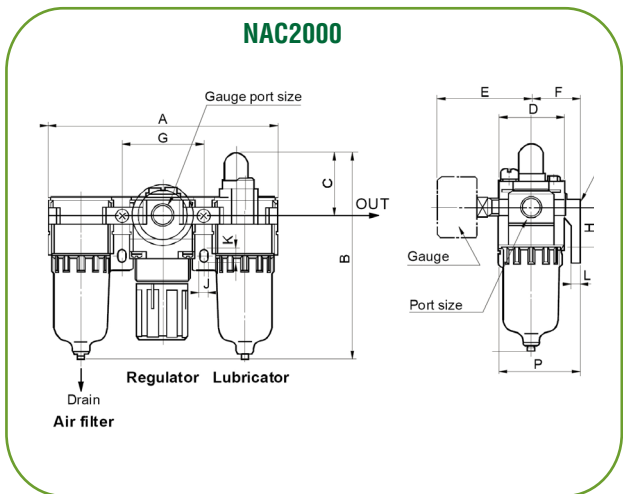


THE NEW FORCE IN FLUID POWER!
pneuforce.com 

AIR FILTER-REGULATOR-LUBRICATOR COMBINATION



OVERALL DIMENSIONS



BRACKETS

Part #	Suitable for
B210L	L Bracket For NAC2000-01/02
B310L	L Bracket For NAC3000-02/03
B410L	L Bracket For NAC4000-03/04
B510L	L Bracket For NAC4000-06
B610L	L Bracket For NAC5000-06/10

The above brackets can be ordered separately with the NAF, NAR & NAL units to make the above NAC combination

ORDER CODE

NAC	2000	01	D
Model Range	Body Size	Port Size	<input type="checkbox"/> Manual Drain
	2000	01: 1/8"NPT	<input checked="" type="checkbox"/> Auto Drain
	3000	02: 1/4"NPT	
	4000	03: 3/8"NPT	
	5000	04: 1/2"NPT	
		06: 3/4"NPT	
		10: 1"NPT	

Includes two L type brackets and gauge (0-160psi)

SPECIFICATIONS

Model	NAC2000-01/02	NAC3000-02/03	NAC4000-03/04	NAC4000-06	NAC5000-06/10	
Port Size	1/8" & 1/4"NPT	1/4" & 3/8"NPT	3/8" & 1/2"NPT	3/4"NPT	3/4" & 1"NPT	
Filtration	5um (25um available as an option. Refer to page 3)					
Adjustable Pressure Range	0.05 - 0.85MPa / 0.7-125psi					
Maximum Working Pressure	1MPa / 150psi					
Proof Pressure	1.5MPa / 220psi					
Temperature Range	5-60°C / 41-140°F					
Lubrication Oil	ISOVG32 or equivalent					
Rated Flow	500 l/min 18cfm	2000 l/min 71cfm	4000 l/min 143cfm	4500 l/min 159cfm	5000 l/min 179cfm	
Pressure Gauge Port	1/8"NPT		1/4"NPT			
Weight	0.74kg / 1.6lbs	1.18kg / 2.6lbs	2.14kg / 4.7lbs	2.47kg / 5.43lbs	3.82kg / 8.4lbs	
Materials	Body	Aluminum Alloy				
	Bowl	Polycarbonate				
	Bowl Guard	N/A	Steel			
Component	Filter	AF2000	AF3000	AF4000-03/04	AF4000-06	AF5000-06/10
	Regulator	AR2000	AR3000	AR4000-03/04	AR4000-06	AR5000-06/10
	Lubricator	AL2000	AL3000	AL4000-03/04	AL4000-06	AL5000-06/10
	Bracket	2 x B210L	2 x B310L	2 x B410L	2 x 510L	2 x B610L

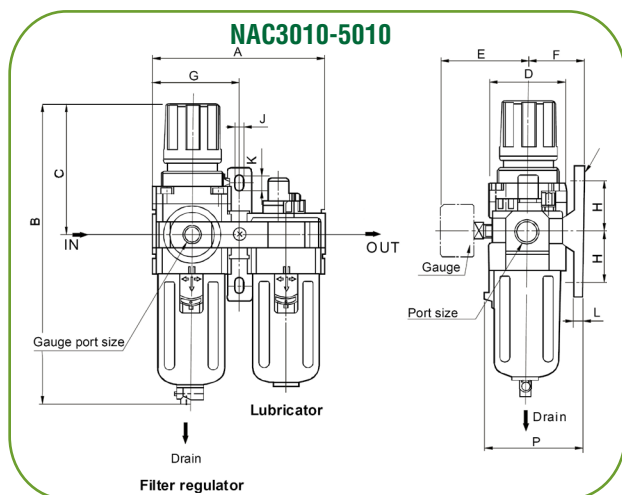
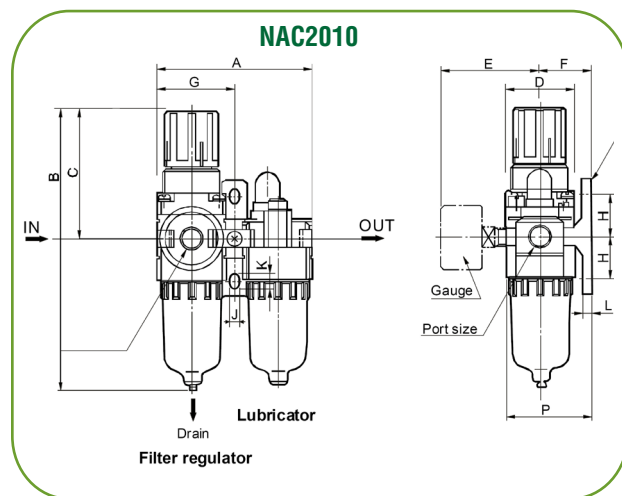
DIMENSIONS (mm)

Type	NAC2000	NAC3000	NAC4000	NAC4000	NAC5000
Port Size	1/8" - 1/4"NPT	1/4" - 3/8"NPT	3/8"NPT - 1/2"NPT	3/4"NPT	3/4" - 1"NPT
A	140	181	238	253	300
B	125	156.5	191.5	193	271.5
C	38	38	41	40.5	48
D	40	53	70	70	90
E	56.8	60.8	65.5	69.5	75.5
F	30	41	50	50	70
G	50	64	84	89	105
H	24	35	40	40	50
J	5.5	7	9	9	12
K	8.5	11	13	13	16
L	5	7	7	7	10
P	50	70.5	88	88	115

PIGGYBACK FILTER REGULATOR-LUBRICATOR COMBINATION



OVERALL DIMENSIONS



BRACKETS

Part #	Suitable for
B210T	T Bracket For NAC2010-01/02
B310T	T Bracket For NAC3010-02/03
B410T	T Bracket For NAC4010-03/04
B510T	T Bracket For NAC4010-06
B610T	T Bracket For NAC5010-06/10

The above brackets can be ordered separately with the NAW & NAL units to make the above NAC combination

ORDER CODE

NAC	2010	01	D
Model Range	Body Size	Port Size	<input type="checkbox"/> Manual Drain
	2010	01: 1/8" NPT	<input checked="" type="checkbox"/> Auto Drain
	3010	02: 1/4" NPT	
	4010	03: 3/8" NPT	
	5010	04: 1/2" NPT	
		06: 3/4" NPT	
		10: 1" NPT	

Includes one T type bracket and gauge (0-160psi)

SPECIFICATIONS

Model	NAC2010-01/02	NAC3010-02/03	NAC4010-03/04/06	NAC5010-06/10	
Port Size	1/8" & 1/4" NPT	1/4" & 3/8" NPT	3/8", 1/2" & 3/4" NPT	3/4" & 1" NPT	
Filtration	5um (25um available as an option. Refer to page 3)				
Adjustable Pressure Range	0.05 - 0.85MPa / 0.7-125psi				
Maximum Working Pressure	1MPa / 150psi				
Proof Pressure	1.5MPa / 220psi				
Temperature Range	5-60°C / 41-140°F				
Lubrication Oil	ISOVG32 or equivalent				
Rated Flow	500 l/min 18cfm	1700 l/min 61cfm	3000 l/min 107cfm	4000 l/min 143cfm	
Gauge Port	1/8" NPT		1/4" NPT		
Weight	0.66kg/1.6lbs	0.98kg/2.2lbs	1.93kg/4.3lbs	3.2kg/7.04lbs	
Materials	Body	Aluminum Alloy			
	Bowl	Polycarbonate			
	Bowl Guard	N/A	Steel		
Components	Filter-Regulator	AW2000	AW3000	AW4000	AW5000
	Lubricator	AL2000	AL3000	AL4000	AL5000
	Bracket	B210T	B310T	B410T	B510T

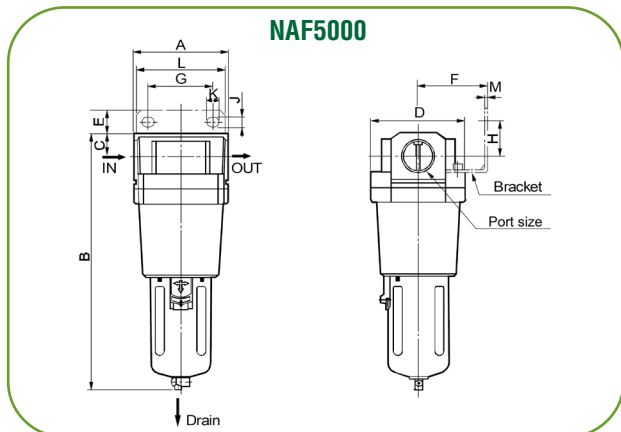
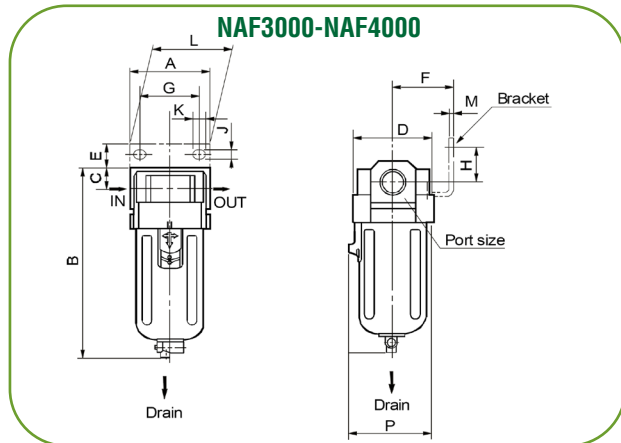
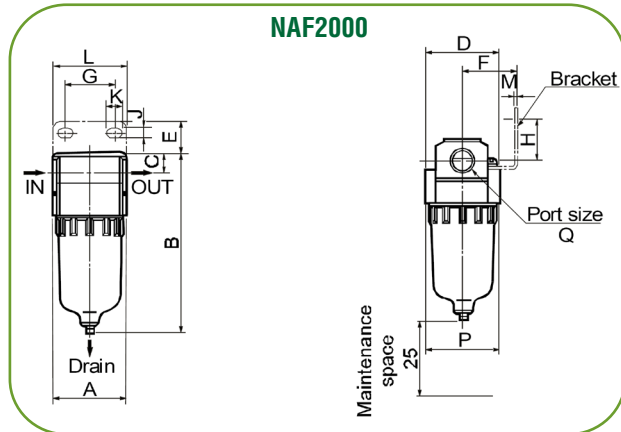
DIMENSIONS (mm)

Type	NAC2010	NAC3010	NAC4010	NAC4010	NAC5010
Port Size	1/8" & 1/4" NPT	1/4" & 3/8" NPT	3/8" & 1/2" NPT	3/4" NPT	3/4" & 1" NPT
A	90	117	154	164	195
B	164.5	211	262.5	267	338
C	78	92.5	112	114	116
D	40	53	70	70	90
E	56.8	60.8	70.5	70.5	75.5
F	30	41	50	50	69.8
G	45	58.5	77	82	97.5
H	24	35	40	40	50
J	5.5	7	9	9	12
K	8.5	11	13	13	16
L	5	7	7	7	10.5
P	50	70.5	88	88	115

AIR FILTER



OVERALL DIMENSIONS



ORDER CODE			
NAF	2000	01	D
Model Range	Body Size	Port Size	<input type="checkbox"/> Manual Drain
	2000	01: 1/8" NPT	<input checked="" type="checkbox"/> Auto Drain
	2500	02: 1/4" NPT	
	3000	03: 3/8" NPT	
	4000	04: 1/2" NPT	
	5000	06: 3/4" NPT	
		10: 1" NPT	

SPECIFICATIONS					
Model	NAF2000-01/02	NAF3000-02/03	NAF4000-03/04	NAF4000-06	NAF5000-06/10
Port Size	1/8" & 1/4" NPT	1/4" & 3/8" NPT	3/8" & 1/2" NPT	3/4" NPT	3/4" & 1" NPT
Filtration	5um (25um available as an option. See below)				
Max. Working Pressure	1MPa / 150psi				
Proof Pressure	1.5MPa / 220psi				
Working Temp. Range	5-60°C / 41-140°F				
Rated Flow	750 l/min 27cfm	1500 l/min 54cfm	4000 l/min 143cfm	7000 l/min 250cfm	7000 l/min 250cfm
Weight	0.19kg / 0.4lbs	0.29kg / 0.6lbs	0.55kg / 1.2lbs	1.08kg / 2.4lbs	1.08kg / 2.4lbs
Capacity	15cm ³	20cm ³	45cm ³		130cm ³
Materials	Body	Aluminum Alloy Moulding			
	Bowl	Polycarbonate			
	Bowl Guard	N/A	Steel		

DIMENSIONS (mm)													
Type	Port	A	B	C	D	E	F	G	H	J	K	M	P
NAF2000-01/02	1/8" & 1/4" NPT	40	97.5	11	40	17	30	27	22	5.4	8.4	2.3	40
NAF3000-02/03	1/4" & 3/8" NPT	53	132.5	14	53	16	41	40	23	6.5	8	2.3	56
NAF4000-03/04	3/8" NPT & 1/2" NPT	70	168.5	18	70	17	50	54	26	8.5	10.5	2.3	73
NAF4000-06	3/4" NPT	75	172.5	20	70	14	50	54	25	8.5	10.5	2.3	73
NAF5000-06/10	3/4" & 1" NPT	90	247.5	24	90	23	70	66	35	11	13	3.2	90

ACCESSORIES

SPARE FILTER ELEMENTS

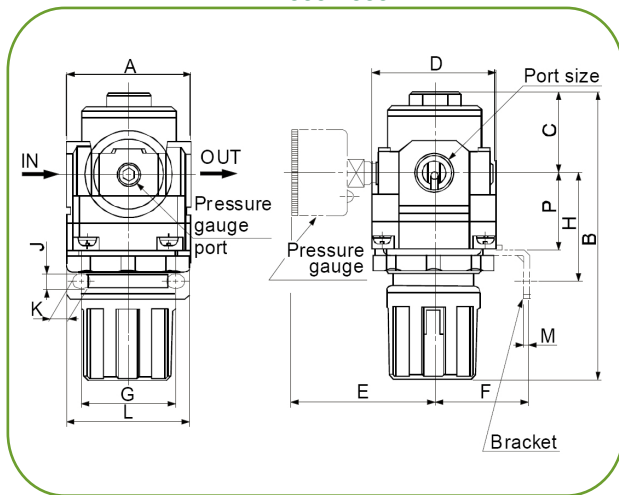
Part Number	Suitable for
AF2000-FCPE5	NAC, NAF, NAW 2000 Polyester 5 Micron Element
AF3000-FCPE5	NAC, NAF, NAW 3000 Polyester 5 Micron Element
AF4000-FCPE5	NAC, NAF, NAW 4000 Polyester 5 Micron Element
AF5000-FCPE5	NAC, NAF, NAW 5000 Polyester 5 Micron Element
AF2000-FCBR25	NAC, NAF, NAW 2000 Sintered Bronze 25 Micron Element
AF3000-FCBR25	NAC, NAF, NAW 3000 Sintered Bronze 25 Micron Element
AF4000-FCBR25	NAC, NAF, NAW 4000 Sintered Bronze 25 Micron Element
AF5000-FCBR25	NAC, NAF, NAW 5000 Sintered Bronze 25 Micron Element

AIR REGULATOR

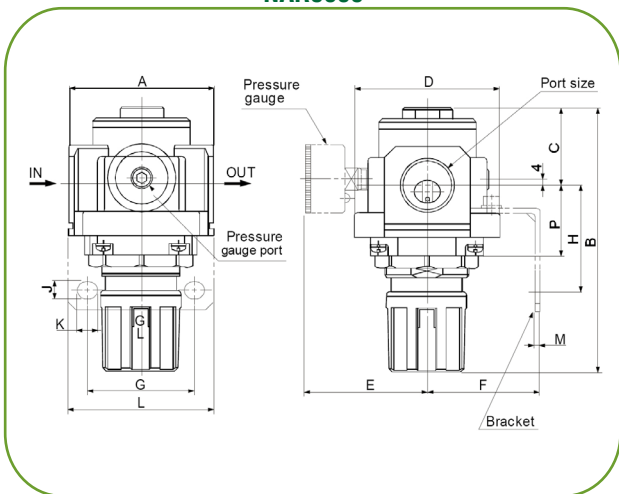


OVERALL DIMENSIONS

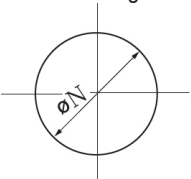
NAR1000-4000



NAR5000



Panel through Hole



NAR/NAW2000-3000:
3.5mm Max. Thickness

NAR/NAW4000-5000:
5.0mm Max. Thickness

ORDER CODE

NAR	2000	01
Model Range	Body Size	Port Size
	2000	01: 1/8"NPT
	2500	02: 1/4"NPT
	3000	03: 3/8"NPT
	4000	04: 1/2"NPT
	5000	06: 3/4"NPT
		10: 1"NPT

Includes bracket and gauge (0-160psi)

SPECIFICATIONS

Model	NAR2000-01/02	NAR3000-02/03	NAR4000-03/04	NAR4000-06	NAR5000-06/10
Port Size	1/8" & 1/4"NPT	1/4" & 3/8"NPT	3/8 & 1/2"NPT	3/4"NPT	3/4" & 1"NPT
Max. Working Pressure	1MPa / 150psi				
Proof Pressure	1.5MPa / 220psi				
Working Temp. Range	5-60°C / 41-140°F				
Adj. Pressure Range	0.05-0.85MPa / psi				
Rated Flow	550 l/min 20cfm	2500 l/min 89cfm	6000 l/min 214cfm	6000 l/min 214cfm	8000 l/min 286cfm
Weight	0.27kg / 0.6lbs	0.41kg / 0.9lbs	0.84kg / 1.8lbs	0.94kg / 2lbs	1.19kg / 2.6lbs
Materials	Body Aluminum Alloy				
	Deck Nylon		Aluminum Alloy		
	Membrane Nitrile Rubber				

DIMENSIONS (mm)

Type	Port	A	B	C	D	E	F	G	H	J	K	L	M	N
NAR2000-01/02	1/8" & 1/4"NPT	40	95	17	40	56.8	30	34	45	5.4	15.4	55	2.3	33.5
NAR3000-02/03	1/4" & 3/8"NPT	53	127.5	35	53	60.8	41	40	46	6.5	8	53	2.3	42.5
NAR4000-03/04	3/8 & 1/2"NPT	70	149.5	37.5	70	65.5	50	54	54	8.5	10.5	70	2.3	52.5
NAR4000-06	3/4"NPT	75	154.5	40.5	70	69.5	50	54	56	8.5	10.5	70	2.3	52.5
NAR5000-06/10	3/4" & 1"NPT	90	168	48	90	75.5	70	66	65.8	11	13	90	3.2	52.5

ACCESSORIES - ADDITIONAL GAUGES



Part Number	Dial Size	Pressure Range	Case Material	Port Size	Port Position
GS-011.5030CSBA18	1.5"	0-30PSI	Black Carbon Steel	1/8NPT	Back
GS-011.5060CSBA18	1.5"	0-60PSI	Black Carbon Steel	1/8NPT	Back
GS-011.5100CSBA18	1.5"	0-100PSI	Black Carbon Steel	1/8NPT	Back
GS-011.5160CSBA18	1.5"	0-160PSI	Black Carbon Steel	1/8NPT	Back
GS-012.0030CSBA14	2.0"	0-30PSI	Black Carbon Steel	1/4NPT	Back
GS-012.0060CSBA14	2.0"	0-60PSI	Black Carbon Steel	1/4NPT	Back
GS-012.0100CSBA14	2.0"	0-100PSI	Black Carbon Steel	1/4NPT	Back
GS-012.0160CSBA14	2.0"	0-160PSI	Black Carbon Steel	1/4NPT	Back

Request our full gauge catalogue to view our complete range

AIR LUBRICATOR

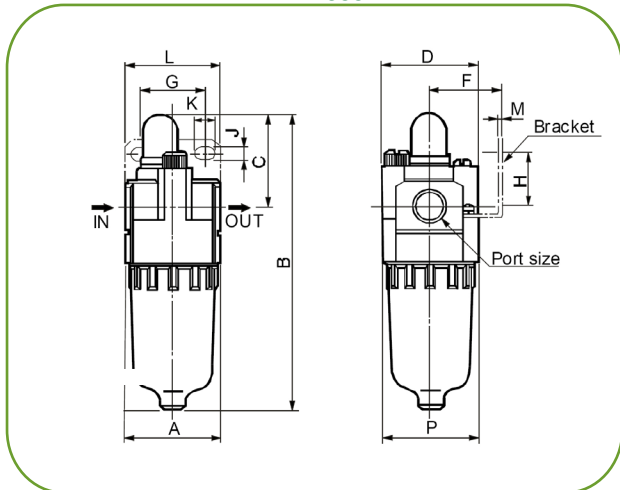


ORDER CODE		
NAL	3000	02
Model Range	Body Size	Port Size
	2000	01: 1/8" NPT
	3000	02: 1/4" NPT
	4000	03: 3/8" NPT
	5000	04: 1/2" NPT
		06: 3/4" NPT
		10: 1" NPT

SPECIFICATIONS					
Model	NAL2000-01/02	NAL3000-02/03	NAL4000-03/04	NAL4000-06	NAL5000-06/10
Port Size	1/8" & 1/4" NPT	1/4" & 3/8" NPT	3/8" & 1/2" NPT	3/4" NPT	3/4" & 1" NPT
Max. Working Pressure	1MPa / 150psi				
Proof Pressure	1.5MPa / 220psi				
Working Temp. Range	5-60°C / 41-140°F				
Lubrication Oil	ISOVG32 or equivalent				
Rated Flow	800 l/min 26cfm	1700 l/min 61cfm	5000 l/min 179cfm	6300 l/min 223cfm	7000 l/min 250cfm
Weight	0.22kg / 0.5lbs	0.30kg / 0.6lbs	0.56kg / 1.2lbs	0.58kg / 1.3lbs	1.08kg / 2.4lbs
Bowl Capacity	25cm ³	50cm ³	130cm ³		
Materials	Body	Aluminum Alloy			
	Bowl	Polycarbonate			
	Bowl Guard	N/A	Steel		

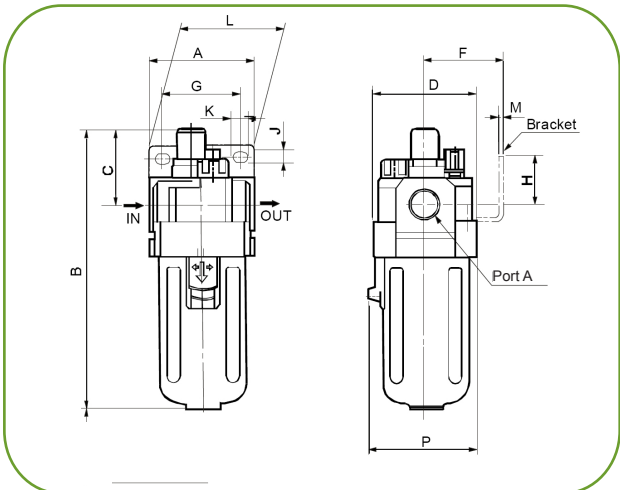
OVERALL DIMENSIONS

NAL2000

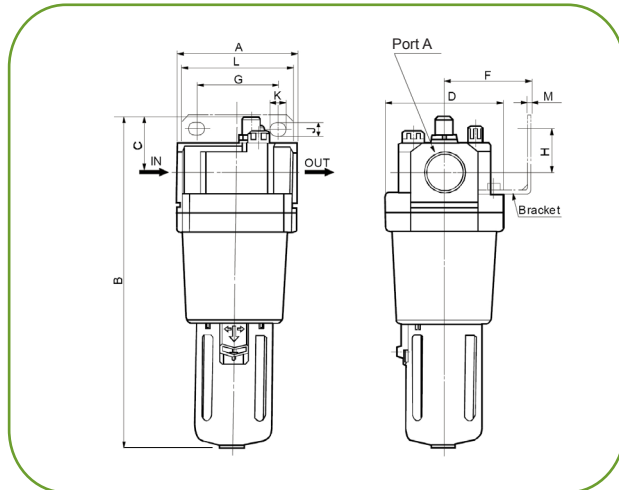


DIMENSIONS (mm)													
Type	Port	A	B	C	D	F	G	H	J	K	L	M	P
NAL2000-01/02	1/8" & 1/4" NPT	40	122	38	40	30	27	22	5.4	8.4	40	2.3	40
NAL3000-02/03	1/4" & 3/8" NPT	53	142	38	53	41	40	23	6.5	8	53	2.3	56
NAL4000-03/04	3/8" & 1/2" NPT	70	177	41	70	50	54	26	8.5	10.5	70	2.3	73
NAL4000-06	3/4" NPT	75	177	39	70	50	54	25	8.5	10.5	70	2.3	73
NAL5000-06/10	3/4" & 1" NPT	90	254	45	90	70	66	35	11	13	90	3.2	90

NAL3000-NAL4000



NAL5000

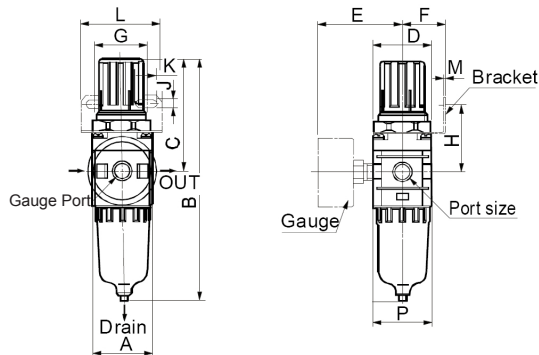


PIGGYBACK FILTER REGULATOR COMBINATION

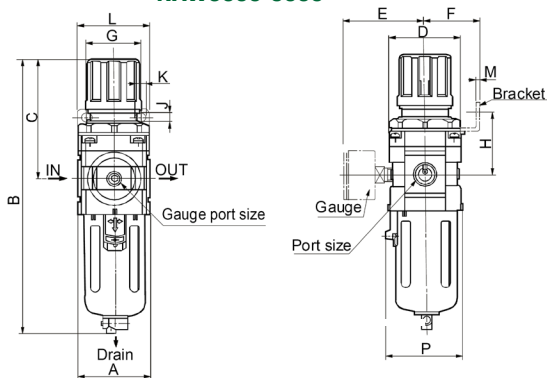


OVERALL DIMENSIONS

NAW1000-2000



NAW3000-5000



ORDER CODE			
NAW	3000	02	D
Model Range	Body Size	Port Size	<input type="checkbox"/> Manual Drain
	2000	01: 1/8" NPT	<input checked="" type="checkbox"/> Auto Drain
	3000	02: 1/4" NPT	
	4000	03: 3/8" NPT	
	5000	04: 1/2" NPT	
		06: 3/4" NPT	
		10: 1" NPT	

Includes bracket and gauge (0-160psi)

SPECIFICATIONS

Model	NAW2000-01/02	NAW3000-02/03	NAW4000-03/04	NAW4000-06	NAW5000-06/10
Port Size	1/8" & 1/4" NPT	1/4" & 3/8" NPT	3/8" & 1/2" NPT	3/4" NPT	3/4" & 1" NPT
Gauge Port	1/8" NPT		1/4" NPT		
Max. Working Pressure	1MPa/150psi				
Proof Pressure	1.5MPa/220psi				
Working Temp. Range	5-60°C/41-140°F				
Adj. Pressure Range	0.05-0.85MPa				
Filtration	5um (25um available as an option)				
Rated Flow	550 l/min 20cfm	2000 l/min 71cfm	4000 l/min 143cfm	4500 l/min 159cfm	5500 l/min 197cfm
Weight	0.36kg / 0.8lbs	0.56kg / 1.2lbs	1.09kg / 2.4lbs	1.15kg / 2.5lbs	1.71kg / 3.7lbs
Bowl Capacity	15cm ³	20cm ³	45cm ³		130cm ³
Materials	Body	Aluminum Alloy			
	Cover	Polycarbonate			
	Diaphragm	Nitrile Rubber			

DIMENSIONS (mm)

Type	Port	A	B	C	D	E	F	G	H	J	K	L	M	P
NAW2000-01/02	1/8" & 1/4" NPT	40	164.5	78	40	56.8	30	34	45	5.4	15.4	55	2.3	40
NAW3000-02/03	1/4" & 3/8" NPT	53	211	92.5	53	60.8	41	40	46	6.5	8	53	2.3	56
NAW4000-03/04	3/8" & 1/2" NPT	70	262.5	112	70	70.5	50	54	54	8.5	10.5	70	2.3	73
NAW4000-06	3/4" NPT	75	267	114	70	70.5	50	54	56	8.5	10.5	70	2.3	73
NAW5000-06/10	3/4" & 1" NPT	90	338	116	90	75.5	49.2	54	62	8.5	10.5	70	2.3	90

AUTODRAIN UNIT

This is used to convert a manual drain NAC/NAF/NAW unit to an auto drain system. The complete bowl and drain assembly as shown is replaced.

Part Number	Suitable for
AD2000-WB	2000 Model Series
AD3000-WB	3000 Model Series
AD4000-WB	4000 Model Series
AD5000-WB	5000 Model Series

The above autodrain kits include the drain and bowl assembled together as shown.

The world of Pneuforce!



Contact your local distributor

pneuforce.com
THE NEW FORCE IN FLUID POWER!
 a brand of Vacuforce Inc.
 Buffalo, NY USA
 Toronto, ON Canada
 Tel: 1-866-280-3766
 Fax: 1-866-280-4829
 www.vacuforce.com
 sales@vacuforce.com



ACCESSORIES



Discover our world of accessories at **pneuforce.com**